

# NELSON™ HEAT TRACING SYSTEMS SPECIFICATION / APPLICATION

## SV-4 VOLTAGE ADJUSTER INSTALLATION

### DESCRIPTION



#### ENCLOSURE

Powder Coated Steel

#### CLASSIFICATIONS

NEMA Type 4 IP66

#### ELECTRICAL DATA

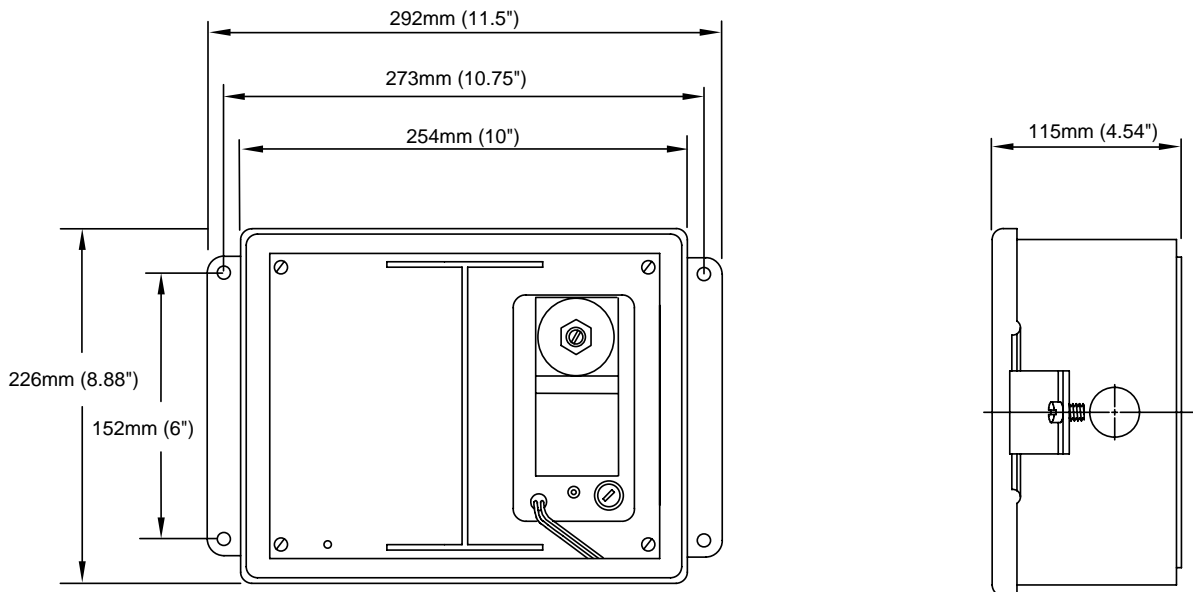
##### CSA, FM Ratings

Load Switching: 5 amp resistive @ 5-100VAC

Supply Voltage: 110-120VAC

The SV-4 voltage adjuster is used for reducing supply voltage between 30-100VAC. This is standardly used for MI cable designs when full voltage exceeds application requirements.

### OUTLINE



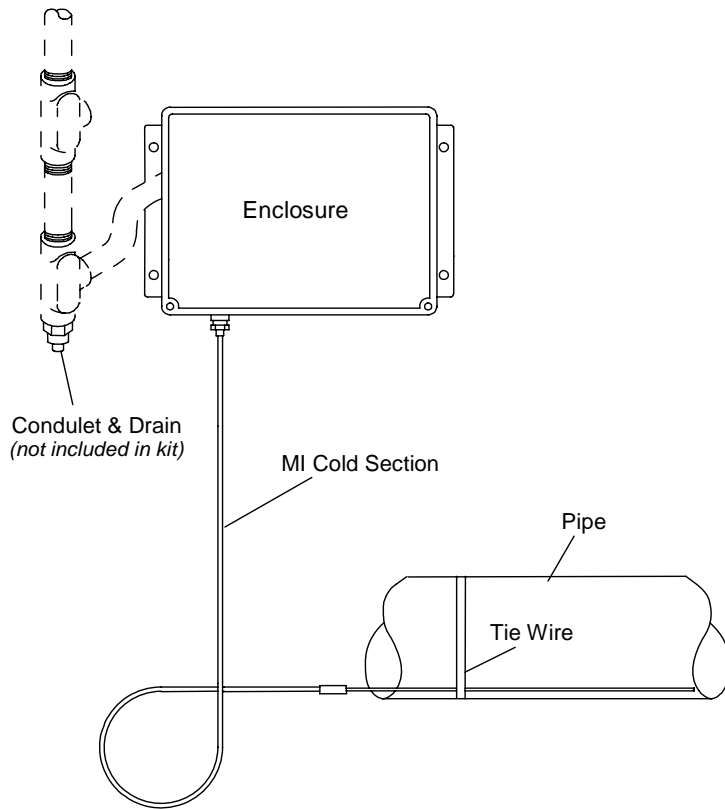
#### Approvals:

FM - Ordinary Locations  
CSA - Ordinary Locations

# NELSON™ HEAT TRACING SYSTEMS SPECIFICATION / APPLICATION

## SV-4 VOLTAGE ADJUSTER INSTALLATION

### INSTALLATION



#### INSTALLATION NOTES:

- Securely mount enclosure and make electrical connections.
- Set voltage on SV per enclosed instructions.
- Close enclosure cover to prevent damage from inclement weather.
- Insure all fittings associated with the power wiring are installed per applicable codes.
- When conduit type systems are used, low point drains / conduit drains are highly recommended.

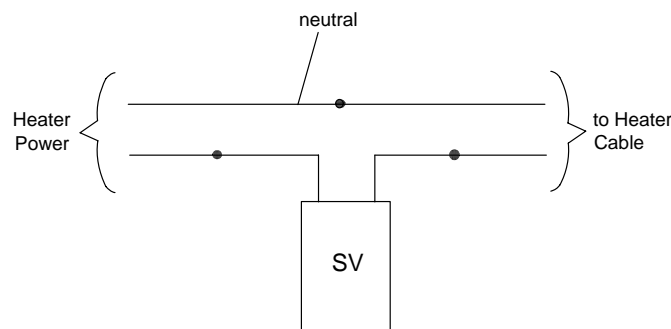
#### ANNUAL MAINTENANCE:

Spray a coat of lubricant and rust preventative such as CRC Stor & Lube on the electrical wire connections.

#### **⚠ WARNING:**

Set voltage on SV per enclosed instructions.

### WIRING DIAGRAM



Nelson Heat Tracing Systems products are supplied with a limited warranty. Complete Terms and Conditions may be found on Nelson's website at [www.nelsonheaters.com](http://www.nelsonheaters.com).